

Date: 10/11/2023

To,
Gen. Manager (DCS)
BSE Limited.
P J Towers, Dalal Street,
Fort, Mumbai-400001

SUB: INTIMATION OF ADVERTISEMENT IN NEWSPAPER UNDER REGULATION 47 OF SEBI (LISTING OBLIGATIONS AND DISCLOSURE REQUIREMENTS) REGULATIONS 2015.

REF: COMPANY CODE BSE: 531257 (PRATIKSHA CHEMICALS LIMITED)

Dear Sir,

Please find enclosed herewith copy of Advertisement given in newspaper of unaudited financial results for the quarter ended on 30th September, 2023 in compliance of Regulation 47 of SEBI (Listing Obligations and Disclosure Requirements) Regulations, 2015. The said unaudited financial results were reviewed by Audit committee and approved by the Board of Directors at its meeting held on **09th November, 2023**.

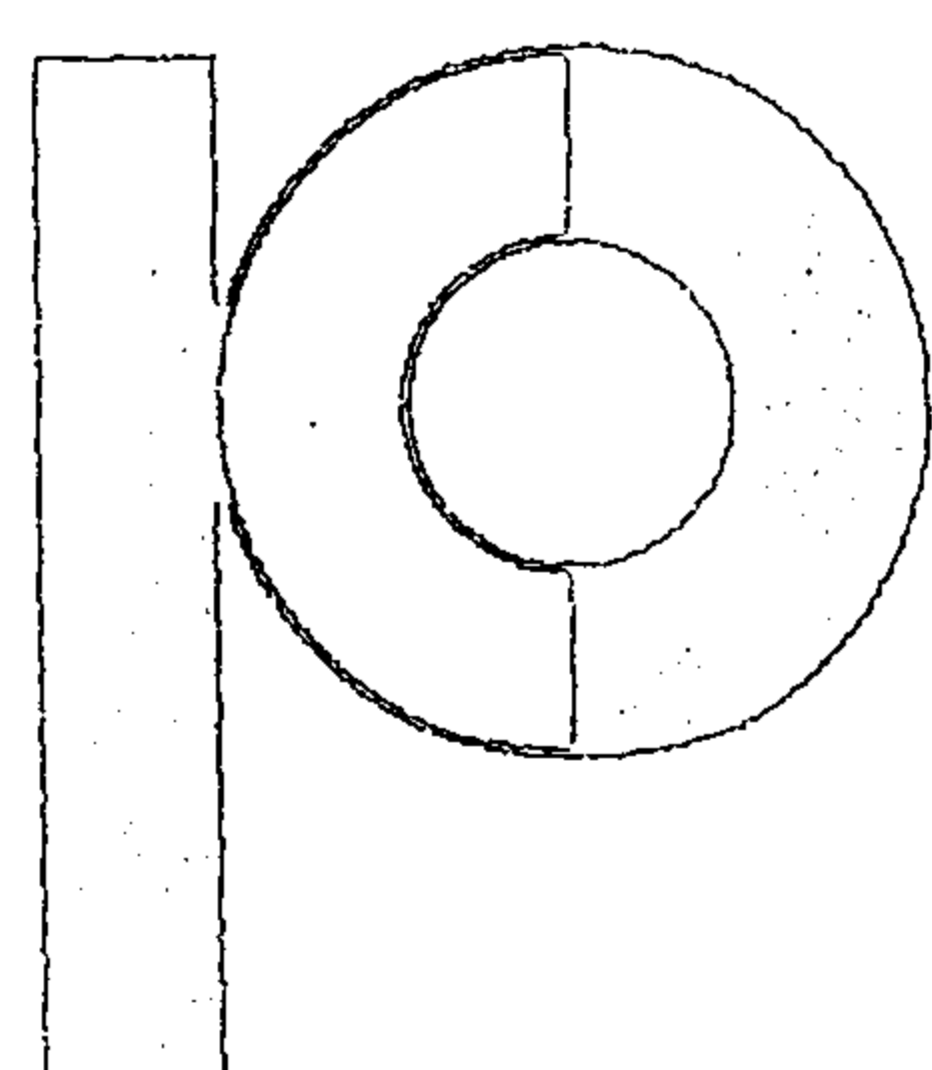
You are requested to take the same on your record.

Thanking You.

Yours Sincerely,

FOR, PRATIKSHA CHEMICALS LIMITED

MR. UPENDRA ADHVARYU
DIRECTOR
(DIN: 00483857)



PRATIKSHA CHEMICALS LIMITED

Regd. Off : 3rd Floor, H. K. Complex , Nr. Dharnidhar Derasar, Paldi, Ahmedabad-380 007 India
Ph. 26632390, 26609530 Fax No : +91 79 26612843.

Website : <http://www.dharapratiksha.com> E-mail : exports@dharapratiksha.com

CIN : L24110GJ1991PLC015507

Factory : 195/2, Near Natraj Industrial Estate, Village Iyawa Vasna, Sanand.
(Dist : Ahmedabad) India. Phone 02717-284350

Amazon Great Indian Festival has been the biggest ever in history: Tiwary

E-commerce firm Amazon said that its month-long Great Indian Festival (GIF) 2023 has been the biggest-ever shopping event for its customers, sellers, and brand partners across the length and breadth of the country. The Amazon Great Indian Festival 2023 started on October 8, with 24 hours of Prime early access. The company said over 38,000 sellers achieved their highest-ever single-day sales. More than 40 lakh new customers shopped for the first time for products and brands.

Amazon India gave customers access to more than 5,000 new launches from top brands. These were across categories: smartphones, premium electronics, health personal care essentials, fashion items, durable luggage, home decor, and fitness gear.

hailed from Tier-II, Tier-III cities, and beyond.

In the premium segment, Amazon sold 2.5 times more smartphones as compared to last year. This was driven by affordability options such as No Cost EMI and Exchange offers.

Among all smartphones sold, 60 per cent were 5G ready. About 70 per cent of all smartphone orders came from Tier-II and below towns. GIF achieved an all-time high in sales for the large-screen TV (55 inches and above) category. It recorded over 50 per cent higher sales than 2022.

For consumer electronics and personal computing, three out of five orders came from Tier-II and Tier-III cities. Amazon Fashion witnessed a 3X spike versus 2022.

This was spearheaded by the interest of customers in products like sarees, men's denim, casual wear, premium shoes, and sports shoes. The new trending beauty devices category saw a 70 per cent spike.

Shopping was made more affordable and convenient for customers with bank discounts and unique rewards helping customers save more than Rs 600 crore.

Almost half of all orders from Prime members were delivered within 48 hours of making a transaction during GIF2023.

Small and medium businesses, startups, artisans, and women entrepreneurs offered the widest selection of products with 6,500 sellers seeing a 5X spike compared to 2022. GIF saw the highest-ever number of sellers receive a sale. Over 38,000 sellers achieved their highest-ever single-day sales.

More than 750 sellers made sales worth crore and 31,000 sellers worth lakhs this festive season. Amazon India also saw a more than 30 per cent increase in the number of SMBs (small and medium businesses) participating this festive season compared to last year. Over 65 per cent of the sellers receiving a sale

"The Amazon Great Indian Festival 2023 has been the biggest ever in history," said Manish Tiwary, country manager, India Consumer Business, Amazon. "We are humbled to be a part of customers' festivities and witnessed a record of more than 110 crore visits with over 40 lakh new customers shopping on Amazon India for the first time.

Tiwary said this festive season, 80 per cent of the customers who shopped came from Tier-II and Tier-III cities. This showcased the firm's strong capabilities of delivering across all serviceable pin codes in India.

"We also saw the highest ever Prime sign-ups in a single day this season along with the highest seller participation along with 5,000 new launches from top brands," said Tiwary.

Accounting company PwC plans to cut around 600 jobs in UK: Report

"Big Four" accounting company PricewaterhouseCoopers (PwC) plans to cut around 600 jobs in the UK, a person familiar with the matter said on Tuesday.

targeted voluntary severance offers to some of our people," PwC said in an emailed statement to Reuters, without disclosing the number of employees that would be affected by the move.

redundancy programme but cut jobs on a compulsory basis if not enough people opt to leave.

The job cuts will be directed mainly at PwC's advisory business and a small number in the tax department, the report said, citing people familiar with the matter.

The audit division would not be hit, it added.

"In light of lower than normal attrition rates and subdued growth in parts of the business, we are making

According to a Financial Times report on Monday, the first on the development, PwC would launch a voluntary

No plans to change board after Religare buy: Dabur Chairman Mohit Burman

The billionaire Burman family has no plans to change the existing Religare Enterprises (REL) board after the family office acquires a majority stake in the financial services company, Dabur India Chairman Mohit Burman said in a video call on Thursday.

The Burman family office plans to invest additional capital in Religare's existing lines of businesses so that it can grow the companies, Burman confirmed.

Denying the allegations made by some of the independent directors of REL that some Burman family members were named in financial scams, including in the Pandora Papers and HSBC offshore account leaks and hence do not meet the "fit and proper" criteria of the regulators, Burman said none of the family members has ever been charge-sheeted in these cases.

"We have two insurance firms, 10 different businesses, and we have been in the industry for 140 years. We've had 18 multinational startups in joint ventures. Our businesses are under the insurance regulator and the Reserve Bank of India (RBI), and we are meeting all criteria. Now this (REL) board is doing a fit and proper test on us?" Burman asked.

The management, led by REL Executive Chairperson Rashmi Saluja, was planning an initial public offering (IPO) of Care Health Insurance, which is currently the no. 2 health insurance company. But Burman said the IPO cannot go ahead until the current issues over the open offer are resolved.

Burman said the family office has been a shareholder

of REL since 2018 and participated in its two preferential issues in 2018 and 2021.

"We have collectively put in roughly Rs 380 crore to bail out the company when there was no promoter, scant management, and no money even to pay salaries. We also put in money in 2021 to pay for the one-time settlement (OTS) of the banks, and the current management and board welcomed us and gave us a glorious review," Burman said.

The Burman family owns a 21.24 per cent stake in REL and made an open offer on September 25 to acquire an additional 26 per cent from other shareholders. The open offer would cost the Burmans an additional Rs 2,116 crore, assuming full acceptance by the minority shareholders.

But after welcoming the open offer on September 25, the board of directors of REL, led by Saluja changed its stance. It appealed to the market regulator, the Securities and Exchange Board of India (Sebi), saying the open offer made by the Burman family at Rs 235 per share is undervalued. The board also appointed two independent valuers to value the company.

After taking over the company as chairperson in 2018, Saluja helped turn around the fortunes of REL after the erstwhile promoters, the Singh brothers (Malvinder and Shivinder Singh), were accused of diverting funds from the company.

Thanks to Saluja's turnaround plan, REL shares, which fell to as low as Rs 17 per share in March 2020, shot up to Rs 271 per share in September this year. Religare shares closed at Rs 220 per share on Thursday, giving it a

total market valuation of Rs 7,230 crore.

REL has a stockbroking arm, a health insurance company (Care Health Insurance), and a non-banking financial company — Religare Finvest (RFL).

In a letter to regulators, some of the independent directors have raised the issue of whether the Burmans meet the "fit and proper" criteria of the regulators — taking into account the previous investigations faced by a few family members. Burman said they have not received any communiqué from Sebi, the RBI or the Insurance Regulatory and Development Authority of India so far on the open offer issue.

According to Burman family executives, the OTS (one time settlement) of RFL is not complete to date as ICICI Bank, which is an unsecured creditor, has not settled with the company.

"With the open offer, we come in as a credible promoter and with the change of promoter, the lending gap will automatically go away and RFL will become a viable lending entity," an executive said.

Executives said the credit rating of REL and RFL will improve once a strong promoter comes in and helps raise capital.

"We thought this was the right time to make the open offer after five years of being there as an anchor investor. Some people want to scuttle the open offer for vested interests," said an executive, while pointing out the high compensation structure of the top management, including employee stock ownership plans in subsidiaries and salaries.

Burman said even after the family acquired Eveready Industries, it did not change the board and maintained continuity.

Shriram Life insurance posts Rs 70 cr net profit in first half of 2023-24

Shriram Life Insurance on Thursday said it registered a profit after tax (PAT) of Rs 70.4 crore in the first half of financial year 2023-24 (HIFY24), down 6.3 per cent compared to Rs 75.1 crore during the same period in financial year 2022-23 (HIFY23).

Shriram Life Insurance announced an 88 per cent increase in new business premium for retail and group policies in HIFY24 at Rs 860 crore compared to the year-ago period. The company sold 142,914 individual policies in the first half of the year,

pushing the insurer to the seventh position in the number of policies sold among private insurers in the country.

For the second quarter of financial year 2024 (Q2FY24) alone, the insurer's gross premium stood at Rs 745 crore. The company sold 87,575 policies in the July to September 2023 quarter. The company's Assets Under Management (AUM) up to September stood at Rs 10,146 crore, posting a rise of 25 per cent year-on-year (Y-o-Y).

"With every quarter, we are intensifying our focus on rural families, reaching out to them with the right kind of solutions and easy-to-use technology. This is also a priority segment for our regulator, and as a 17-year-old company serving this category ourselves, we are keenly looking at supporting and educating these first-time policyholders besides making their whole policy journey seamless.

Our appointment as the lead life insurer in Telangana will help us achieve greater

strides in voicing Insurance Regulatory and Development Authority of India's (IRDAI) mission of 'Insurance for All' by 2047," said Casparus J H Kromhout, Managing Director and Chief Executive Officer, Shriram Life Insurance.

Shriram Life has already kick-started a series of insurance awareness campaigns in the state. On October 20, the company convened its first State Level Insurance Committee meeting with members from IRDAI, State Administration, and Single Points of Contact (SPOCs) of other insurers in Hyderabad post its appointment as lead

insurer for Telangana. Shriram Life Insurance will be building a

roadmap for insurance penetration in Telangana, focusing on underpenetrated regions, ensuring inclusion among all demographics, building insurance distribution channels, and even addressing grievance redressal gaps through training. The company will also join hands with other private insurers and set milestones to cover the lives of rural families.

Shriram Life Insurance, promoted jointly by Shriram Group and Africa's Sanlam, embarked on a series of partnerships with regional financial institutions across the country to boost its business growth, particularly in rural segments.

The company also boosted its distribution strength to increase its presence in deep rural areas, along with superior in-house built tech capabilities to ensure faster reporting of claims and improving persistency. The company sources 45 per cent of its business from the rural segment.

Apple suffers setback in fight against European Union's \$14 bn tax order

An EU tribunal made legal errors when it ruled in favour of Apple over a 13-billion-euro (\$14 billion) tax order and should review the case again, an adviser to Europe's top court said on Thursday, in a potential setback for the iPhone maker.

The tax case against Apple was part of EU antitrust chief Margrethe Vestager's crackdown against deals between multinationals and EU countries that regulators saw as unfair state aid.

The European Commission in its 2016 decision said Apple benefited from two

Irish tax rulings for more than two decades that artificially reduced its tax burden to as low as 0.005% in 2014.

The European Union's General Court in 2020 upheld Apple's challenge, saying that regulators had not met the legal standard to show Apple had enjoyed an unfair advantage.

But advocate General Giovanni Pitruzzella at the EU Court of Justice (CJEU) disagreed, saying CJEU judges should set aside the General Court ruling and refer the case back to the lower tribunal.

"The judgment of the

General Court on 'tax rulings' adopted by Ireland in relation to Apple should be set aside," he said in a non-binding opinion.

He said the General Court committed a series of errors in law and had also failed "to assess correctly the substance and consequences of certain methodological errors that, according to the Commission decision, vitiated the tax rulings".

"It is therefore necessary for the General Court to carry out a new assessment," Pitruzzella said.

The CJEU, which will rule in the coming months, follows around four in five such recommendations.

Ireland reiterated that it had not provided any state aid to Apple.

"It is important to bear in mind that this opinion does not form part of the Court of Justice of the European Union judgment but is considered by the Court when arriving at its final ruling," Michael McGrath said in a statement.

"It has always been, and remains, Ireland's position that the correct amount of Irish tax

PRATIKSHA CHEMICALS LIMITED					
REGD. OFFICE: 3RD FLOOR, H K COMPLEX, OPP. DHARNIDHAR DERASAR, VASNA, AHMEDABAD - 380007					
CIN : L24110GJ1991PLC015507 www.pratikshachemicals.in					
PH : 079-26632390 E-MAIL: exports@dharaipratiksha.com					
EXTRACT FROM THE STANDALONE AUDITED FINANCIAL RESULTS FOR THE QUARTER AND YEAR ENDED ON 30.09.2023 (Rs. In Lacs)					
Sr. No.	PARTICULARS	Quarter ended on 30-09-2023 Unaudited	For the year ended on 30-09-2022 Unaudited	Half Year ended on 30-09-2023 Unaudited	Year ended 31-03-2023 Audited
1	Total income from operations +C9:C18	161.25	317.85	357.23	996.70
2	Net Profit / (Loss) for the period (before Tax, Exceptional and/or Extraordinary items)	3.07	1.43	6.48	12.09
3	Net Profit / (Loss) for the period before Tax (after Exceptional and/or Extraordinary items)	3.07	1.43	6.48	12.09
4	Net Profit / (Loss) for the period after Tax (after Exceptional and/or Extraordinary items)	1.77	0.48	4.50	-0.34
5	Total Comprehensive Income for the period [Comprising Profit/ (loss) for the period (after tax) and other Comprehensive Income (after tax)]	-	-	-	-
6	Equity Share Capital	557.03	557.03	557.03	557.03
7	Reserves (excluding Revaluation Reserve) as shown in the Audited Balance Sheet of Previous Year	-	-	-	-
8	Earnings Per Share (of Rs. 10 / - each) (for continuing and discontinued operations)				
	Basic :	0.03	0.01	0.08	0.16
	Diluted :	0.03	0.01	0.08	0.16

Notes:

- The above is an extract of the detailed format of Quarterly Financial Results filed with the Stock Exchange under Regulation 33 of SEBI (Listing and Other Disclosure Requirements) Regulation, 2015. The full Format of the financial Results are available on the Stock Exchange website (www.bseindia.com) and on the Company website (www.pratikshachemicals.in)
- The result of the Quarter ended on 30st September, 2023 were reviewed by the Audit Committee and approved by the Board of Director at its meeting held on 09th November, 2023.

BY ORDER OF THE BOARD OF DIRECTORS, FOR, PRATIKSHA CHEMICALS LIMITED SD/-

Mr. UEPNDRA ADHVARYU DIRECTOR (DIN : 00483857)

Place : Ahmedabad Date : 09th November, 2023

Yash Innoventures Limited							
(CIN: L45100GJ1991PLC016557)							
(Formerly known as Redex Protech Limited)							
Registered Office: 1 Floor, Corporate House No.3, Parshwanath Business Park, Behind Prahladnagar Garden, S G Highway, Ahmedabad-380014, Gujarat, India.							
Statement of Unaudited Financial Results for the Quarter and Half Year ended September 30, 2023 (Rupees in Lacs)							
Sr. No.	Particulars	Quarter ended 30-Sep-23	Quarter ended 30-Jun-23	Quarter ended 30-Sep-22	Half Year ended 30-Sep-23	Half Year ended 30-Sep-22	Year ended 31-Mar-23
		(Unaudited)	(Unaudited)	(Unaudited)	(Unaudited)	(Unaudited)	(Audited)
1	Income	147.70	127.24	0.24	274.94	0.74	0.74
	(a) Revenue from Operations	19.55	9.00	9.00	28.54	18.00	36.00
	(b) Other Income	167.25	136.24	9.24	303.48	18.74	36.74
2	Total Income						
	Expenses						
	(a) Employee benefits expense	17.99	18.42	17.68	36.42	34.90	74.75
	(b) Purchases	22.46	27.34	-	49.80	-	-
	(c) Change in inventory	50.60	49.90	-	100.50	-	(1.35)
	(b) Depreciation	1.03	1.02	0.78	2.05	1.52	3.59
	(c) Other expenses	3.08	7.74	5.06	10.82	16.30	39.24
	Total Expenses	95.17	104.43	23.52	199.59	52.72	116.23
3	Profit/(loss) before tax (1 - 2)	72.08	31.81	(14.28)	103.89	(33.98)	(79.49)
4	Tax Expense						
	(a) Current tax	-	-	-	-	-	-
	(b) Short provision of earlier years	-	-	-	-	-	-
	(c) Deferred tax	(0.05)	(0.04)	(0.09)	(0.09)	(0.10)	0.08
	Total Tax Expense	(0.05)	(0.04)	(0.09)	(0.09)	(0.10)	0.08
5	Profit/(loss) for the period (3 - 4)	72.13	31.85	(14.39)	103.98	(34.08)	(79.57)
6	Other Comprehensive Income	-	-	-	-	-	-
7	Total comprehensive income/(loss) for the period (5+6)	72.13	31.85	(14.39)	103.98	(34.08)	(79.57)
8	Paid-up equity share capital (face value '10/- per share)	672.12	672.12	672.12	672.12	672.12	672.12
9	Other equity				754.99	696.49	651.00
10	Earnings per share (') (not annualised except for the year ended)						
	- Basic EPS	1.07	0.47	(0.21)	1.55	(0.51)	(1.18)
	- Diluted EPS	1.07	0.47	(0.21)	1.55	(0.51)	(1.18)

(See accompanying notes to the Financial Results)

Notes:

- The unaudited financial results were reviewed by the Audit Committee and have been considered and approved by the Board of Directors at their meeting held on November 09, 2023. The same have been subjected to Limited Review by the Statutory Auditors.
- The financial results are extracted from the Audited Financial Statements of the Company which are prepared in accordance with Indian Accounting Standards (Ind AS) as prescribed under section 133 of the Companies Act, 2013 ("the Act") read with relevant rules issued thereunder.
- During the quarter and half year ended September 30, 2023 the Company is operating in a single segment i.e. "Construction". Accordingly, segment wise reporting is not applicable.
- The figures for previous period have been regrouped / reclassified /restated wherever necessary to make them comparable with the current year's classification.
- The results for the quarter and half year ended September 30, 2023 are available on the BSE Limited website (URL: www.bseindia.com/corporates).

For Yash Innoventures Limited (Formerly known as Redex Protech Ltd) SD/-

Mr. Gnanesh Bhagat Managing Director DIN - 00115076

Place: Ahmedabad Date: 09.11.2023

ધી ન્યૂજલાઇન

વર્ષ : ૩૦ અંક : ૦૬૧ તા.૧૦-૧૧-૨૦૨૩ પાનાં ૪ માલિક : જયની પબ્લીશર્સ તંત્રી : રણછોડ એન. શાહ સહ તંત્રી : રાધિકા ગંજલાલા

નવા વર્ષ દરમ્યાન રિલાયન્સનું ડિમર્જર આવે તેવી ગણતરી

હિન્દુસ્તાન યુનિલિવરમાં પણ કરેકશન પૂરું થયું



ભારતીય શેરબજારમાં ખૂબ સુંદર ઉછાળો જોવાયા છતાં હજી પણ બજારનો અનરટરોન નબળો અને ગભરાટવાળો છે અને જ્યાં સુધી ઈન્ડસ્ટ્રી અને ગાઝા અંગેનું ચિત્ર સ્પષ્ટ ન થાય ત્યાં સુધી શેરબજારમાં ગભરાટ ચાલુ રહેશે તે સંભાવના મજબૂત છે. નિફ્ટીના ૫૦ શેરોમાંથી માંડ પાંચ કે સાત શેરો સ્પષ્ટ રીતે તેજના તબક્કામાં કબી શકાય. જ્યારે લગભગ ૭થી ૮ શેરો સ્પષ્ટ રીતે ઘટાડાના તબક્કામાં છે અને બાકીના શેરો ટૂંકી વધઘટ ઉપર અથડાયા કરે તે સંભાવના મજબૂત છે.

સામે પહેલી ટીસીએસમાં હજી પણ મંદીની અસર જોરદાર છે. શુક્રવારે ભલે આ શેર થોડો વધ્યો હતો તેમ છતાં ડા. ૩૩૫૧વાળા આ શેરમાં આવતા થોડા દિવસોમાં મંદીની અસર રહેવાની ગણતરી છે. ડા. ૩૩૭૭ના સ્ટોપલોસથી આ શેરમાં મંદી કરી શકાય અને નીચામાં ડા. ૩૩૩૩ અને તે પછીના ઘટાડે ડા. ૩૩૧૦નો ભાવ બેસે છે.

ડા. ૧૧૭.૩૦વાળા તાતા સ્ટીલમાં પણ આવતા થોડા દિવસોમાં ભાવ ધીરે ધીરે ઘટીને ડા. ૧૧૪ ઉપર આવી જવાની ગણતરી છે. તેવો જ ઘટાડો મહિન્દ્રા એલ્મિનિયમ ડા. ૧૪૬૮વાળા શેરમાં પણ દેખાય છે અને આવતા થોડા દિવસોમાં આ શેરમાં ડા. ૧૪૪૪ સુધી ઉતરી જાય તે સંભાવના છે અને તે લેવલ તૂટવા પછી આ શેરમાં ડા. ૧૪૧૪નો ભાવ જોવા મળે તેવી ગણતરી છે.

સામે પહેલી ઓશિયન પેપર્સ બોટમઆઉટ થઈને હવે મજબૂત તેજમાં દાખલ થયો છે. છેલ્લા ઘણા અઠવાડિયાથી એશિયન પેપર્સ સતત ઘટતો હતો અને તેથી ગયા અઠવાડિયે બોટમના ભાવે લેવાનું કહ્યું હતું. યુટર્ન લઈને હવે આ શેર સુધારા તરફી બન્યો છે. અત્યારના ડા. ૨૮૭૮ના ભાવે આ શેરમાં ત્રણ મહિનામાં સુંદર રિટર્નની જગ્યા છે અને તેથી થોડાક શેરો લઈને મૂકી શકાય.

વિશ્વના શેરમાં પણ અત્યારે ડા. ૩૮૩.૮૫ના ભાવથી મંદી કરી શકાય અને તેમાં પણ આવતા થોડા દિવસોમાં ભાવ તૂટવાની જગ્યા છે. જ્યારે **આદાણી પોર્ટમાં** હવે ઘટાડાનો તબક્કો પૂરો થયો અને અપ્ટ્રેન્ડ શરૂ થયો હોય તેમ લાગે છે અને તેથી ત્રણથી છ મહિનાના એન્ગલથી થોડાક શેરો લઈને મૂકી શકાય.

કાર્મા શેરોમાં **ડો. રેકોર્ડ**ના શેરમાં હજી પણ મંદીની અસર તીવ્ર છે. છેલ્લા થોડા દિવસોમાં ધીરે ધીરે ઘટીને ડા. ૫૨૬ ઉપર આવેલા આ શેરમાં આગામી દિવસોમાં વધારે ઘટાડા સાથે ડા. ૫૧૬ અને તે પછી ડા. ૫૦૩ સુધી ભાવ ઉતરી જવાની સંભાવના છે.

એચકીએફસી ઍક્સના શેરમાં શુક્રવારે તો થોડાક ઉછાળો જોવાયો હતો. તેમ છતાં એચકીએફસી બેંકમાં ટ્રેન્ડ હજી સ્પષ્ટ રીતે નથી બદલાયો. તેમ છતાં નવા અઠવાડિયામાં બજારની સાથે સાથે એક વખત ઊંચકાઈને ડા. ૧૪૮૫-૧૫૦૫નું લેવલ કૂદાવી દે તો આ શેરને તેજમાં દાખલ થયેલો ગણવો.

શોર્ટટર્મ ખેલાડીઓનું આકર્ષણ

રિલાયન્સ ઇન્ડસ્ટ્રીઝમાં વધતું જાય છે અને હવે નવા વર્ષ દરમ્યાન રિલાયન્સ રીટેઈલનું ડિમર્જર આવે તેવી ગણતરી છે. છેલ્લા થોડા અઠવાડિયા દરમ્યાન રિલાયન્સ રીટેઈલે કેટલાક જંગી ડેઈલિઓવર કર્યા છે અને તે પછી હવે આ શેરમાં રીટેઈલિંગની ગણતરી છે. શોર્ટટર્મ ખેલાડીઓ હવે ડા. ૪૭૫ વાળા **હિન્ડલે** અંગે પણ ભૂલીશ બન્યા છે. વેલ્યુ એડિશન ઉપર વધારે ફોકસ ધરાવતી હિન્ડલેમાં હવે ખૂબ જ સુંદર વેચાણ વૃદ્ધિ થવાની ગણતરી છે અને આવતા થોડા દિવસોમાં જ ડા. ૫૦૦ ઉપરના ભાવની સંભાવના મજબૂત છે.

હિન્દુસ્તાન યુનિલિવરમાં પણ કરેકશન પૂરું થયું અને ધીમો અપ્ટ્રેન્ડ શરૂ થયેલો દેખાય છે અને તેની ઉપર પણ ફોકસ રાખી શકાય.

નેસ્લે ઇન્ડિયાના શેરમાં ગયા અઠવાડિયાની આખરમાં થોડા ઘટાડા પછી ડા. ૨૨૮૮૯નો ભાવ આપ્યો હતો. આ શેરમાં નાનું રોકાણ જાળવી રખાય. તેમ છતાં અત્યારના ઊંચા ભાવે આ શેરમાં નવા રોકાણની સલાહ નથી. ડા. ૮૫૨૨ વાળા **અદ્વૈટે** **સિમેન્ટ**માં પણ હવે રિસેઅર ક્વાર્ટરના પરિણામ અંગે આશાવાદ વધતો જાય છે અને આગામી દિવસોમાં ડા. ૮૫૨૨ વાળા આ શેરમાં મજબૂત અપ્ટ્રેન્ડ સાથે ડા. ૮૫૮૦ અને તે પછી ડા. ૮૬૮૬ના ભાવની સંભાવના મજબૂત છે.

એચકીએફસી લાર્ડનો શેર એકદમ ધીરે ધીરે ઊંચકાઈ રહ્યો છે તેમ છતાં એચકીએફસી લાર્ડફ અને એસબીઆઈ લાર્ડફના શેરો સ્પષ્ટ રીતે તેજમાં દાખલ થયા છે તેમ ન કહી શકાય અને હજી બેતરવ વધઘટ એટલે કે કટપીસ ચાલુ રહે તે સંભાવના વધારે છે. જ્યારે ડા. ૮૩૧ વાળા **ભારતી એરટેલ**માં એકદમ ધીમા અપ્ટ્રેન્ડની ગણતરી છે. કંપનીનું લાંબાગાળાનું ભાવિ સુંદર છે અને તેથી થોડાક શેરો લઈને મૂકી શકાય. સેન્સેક્સ અને નિફ્ટીમાં ભલે ગયા અઠવાડિયા દરમ્યાન તોફાની તેજ જોવાઈ હોય પરંતુ મીડકેપ શેરોને રોકાણકારોને સુંદર રિટર્ન આપવાનું ચાલુ રાખ્યું છે અને તેમાં **તિલકનગર ઇન્ડસ્ટ્રીઝ**નો શેર

અત્યારે ખાસ ધ્યાન ખેંચે છે. આજથી થોડા મહિના પહેલા માંડ ડા. ૧૧માં આ શેર મળી રહ્યો હતો પરંતુ તે પછી ટર્નઅરાઉન્ડ પરિણામો અને વિદેશી ભાગીદારીની સંભાવનાને કારણે ડા. ૨૪૩ ઉપર આવી ગયો છે અને આવતા થોડા દિવસોમાં આ શેર ખૂબ જ સુંદર ઉછાળા સાથે ડા. ૨૫૫ અને તે પછી ધીરે ધીરે ડા. ૨૮૮નો ભાવ બતાવે તેવી ગણતરી છે.

આવો જ સુંદર ઉછાળો ડા. ૬૮૭વાળા **રેફટ ગોલ્ડ ટેકનોલોજી**ના શેરમાં પણ દેખાય છે અને આવતા થોડા દિવસોમાં આ શેર પણ ૧૫ ટકા વધીને ડા. ૮૦૮ ઉપર આવી જવાની સંભાવના મજબૂત છે અને તેથી થોડાક શેરો લઈને મૂકી શકાય.

પ્રોટેક ટીવી ચેનલો ધરાવતી **ઝી મીડિયા**ના શેરમાં ધીમા સુધારા સાથે ડા. ૧૫.૩૦નો ભાવ આપ્યો છે. પુનિત ગોંધાને સિક્કોરિટીઝ એપેલેટ ટ્રીબ્યુનલમાં રાહત મળ્યા પછી આ શેર અને ઝી એન્ટરટેઈનમેન્ટ એટલે કે ઝી-સોનીના શેરમાં ઉછાળો જોવાયો છે અને આવતા થોડા દિવસોમાં ઝી મીડિયાનો અન્ય કોઈ મોટા ઝૂપ સાથે સોદો થઈ જાય તે સંભાવના છે અને મજબૂત સંભાવના રિલાયન્સ ઇન્ડસ્ટ્રીઝ સાથે જોડાય થવાની છે. ડા. ૧૫.૧૦વાળા આ શેરમાં આવતા થોડા દિવસોમાં ડા. ૧૭ના ભાવની ગણતરી છે અને તે પછી ધીરે ધીરે ડા. ૧૮-૧૯નો ભાવ પણ જોવા મળે.

સામે પહેલી ઝોમેટોનો શેર ઘણા સમયથી ક્વર કરાવીએ છીએ અને એનાલિસ્ટોને સપ્ટેમ્બર ક્વાર્ટરમાં નુક્સાનની અપેક્ષા હતી અને તેની સામે કંપનીએ તેની ટોપલાઈનમાં તોર્તાઈ વૃદ્ધિની સાથે સાથે નેટ લેવલ ઉપર ડા.૩૨ કરોડનો નફો દર્શાવ્યો છે. નફાની સરખામણી અને પીઈરિશિયોના માપદંડની દૃષ્ટિએ આ શેર તમને અતિશય મોંઘો લાગશે પરંતુ કુડ ડિવિડેન્ડના માર્કેટમાં જે રીતે ગ્રોસ મર-ડાઉન વેલ્યુ અને કંપનીની આવકોમાં તોર્તાઈ ઉછાળો છે તે જોતા આગામી દિવસોમાં આ શેરમાં વેલ્યુએશનમાં ખૂબ જ મોટો ઉછાળો દેખાય છે અને હવે આ શેરમાં આવતા થોડા દિવસોમાં ડા. ૧૨૨ અને તે



કે જે બે જંગી એમ્યુઝમેન્ટ પાર્ક ધરાવે છે તેના શેરમાં મોટા ઉછાળાની જગ્યા બાકી છે. ડા. ૮૪૧ ઉપર આવી ગયેલા વન્ડરલામાં આવતા થોડા દિવસોમાં ડા. ૮૭૦ અને તે પછીના થોડા દિવસોમાં ડા. ૧૦૬૦ના ભાવની સંભાવના મજબૂત છે અને તેથી થોડાક શેરો લઈને મૂકી શકાય.

માઈકો કિનાન્સના બિઝનેસની **ચંદના સુદિ**માં નફો સુંદર આવવાની ગણતરી. અત્યારે ડા. ૮૧૮ ઉપર મળી રહ્યો છે અને આવતા થોડા દિવસોમાં જ ડા. ૮૩૮ અને તે પછીના થોડા દિવસોમાં ડા. ૧૦૦૮ના ભાવની સંભાવના મજબૂત છે.

મુંબઈ ખાતે મુખ્ય મથક ધરાવતી **સંઘવી મુવર્થ** વિવિધ પ્રકારની કેઈન ભાડે આપવાનું કામ કરે છે. ઇન્ફ્રાસ્ટ્રક્ચર પ્રોજેક્ટો અત્યારે દેશબરમાં ધમધોકાર ચાલી રહ્યા છે અને તેને કારણે સ્વાભાવિક છે કે કેઈનની માંગમાં મોટો ઉછાળો જોવાય. અત્યાર ઇન્ફ્રાસ્ટ્રક્ચર કંપનીઓ પોતાની કેઈન ખરીદવાને બદલે ભાડે લેવાનું જ પસંદ કરે છે અને તેને કારણે આ કંપનીની માંગમાં મોટો ઉછાળો છે. ડા. ૭૭૭ અને તે પછીના થોડા દિવસોમાં ડા. ૮૩૨નો ભાવ જોવા મળવાની ગણતરી છે. તેથી થોડાક શેરો લઈને મૂકી શકાય.

વિલિસ ટુવિએસ ફાર્માનો શેર અત્યારે ડા. ૧૦૦ ઉપર મળે છે અને આ શેરમાં આવતા થોડા દિવસોમાં ડા. ૧૦૫ અને તે પછીના થોડા દિવસોમાં ડા. ૧૧૦ના ભાવની સંભાવના છે. થોડાક શેરો લઈને મૂકી શકાય.

સોપાર્કનું ઉત્પાદન કરતી **વિંદાલ-સો**માં પણ ડા. ૪૬૦ના ભાવથી ઝડપી ઉછાળો છે. ૫૦૮નો ભાવ જોવા મળવાની ગણતરી છે. થોડાક શેરો લઈને મૂકી શકાય.

આવો જ સુંદર ઉછાળો ડા. ૪૩૮વાળા **જેકે ટાયર**ના શેરમાં પણ દેખાય છે. અને આગામી દિવસોમાં ટાયર સેક્ટર તરફના સેન્ટીમેન્ટમાં સુધારાને કારણે આ શેરમાં ડા. ૩૫૫ અને તે પછીના થોડા દિવસોમાં ડા. ૩૭૦ના ભાવની ગણતરી છે.

રેસીડેન્સીયલ સેક્ટરમાં મોટા પ્રોજેક્ટો કરતી **ફિગો એન્ટરપ્રાઇઝ**માં પણ રીયલ એસ્ટેટ સેક્ટરની તેજની અસર દેખાય છે. ફિગોનો શેર અત્યારે ડા. ૬૬૮ ઉપર આવી ગયો છે અને આ શેરમાં આવતા થોડા દિવસોમાં ડા. ૭૪૭ના ભાવની ગણતરી છે અને તે રીતે થોડાક શેરો લઈને મૂકી શકાય.

કિનાન્સના બિઝનેસમાં દક્ષિણ ભારતમાં મોટું કામ કરતી **સુંદરમ ફિનાન્સ લોર્ડિંગ**નો શેર ડા. ૧૪૩

લઈને મૂકી શકાય. **પેનિન્સુલા લેન્ડ** ગયા અઠવાડિયે ડા. ૪૨.૧ના ભાવે લેવાની વાત કરી હતી અને અત્યારે આ શેર ડા. ૪૭.૭૫ ઉપર આવ્યો છે અને હજી તેમાં રોકાણ જાળવી રાખજો. આવતા થોડા દિવસોમાં આ શેર ખૂબ જ ઝડપથી ડા. ૫૮-૫૯નો ભાવ બતાવે તેવી ગણતરી છે.

જ્યારે **સોમી કન્વેયર બેલ્ટ**નો શેર અત્યારે ડા. ૮૦.૫૦ના ભાવ ઉપર પડી રહ્યો છે અને તેમાં હવે થોડુંક રોકાણ કરી શકાય. ગયા અંક વખતે પણ આ જ ભાવ ચાલતો હતો. **એન્જલ-વલનો** શેર ડા. ૨૮૦ ઉપર આવ્યો છે અને તેમાં વધારે રાહ જોવા વગર ઝડપથી પ્રોફિટ બુકિંગ કરીને અમુક પૈસા આનંદરાકીના શેરમાં શિફ્ટ કરી દેવાય. **આનંદ રાહી**નો શેર અત્યારે ડા. ૨૦૨૪ ઉપર મળે છે અને તેમાં આવતા થોડા દિવસોમાં ડા. ૨૧૭૧ના ભાવની સંભાવના મજબૂત છે.

ટ્રાન્સફર્મરનું ઉત્પાદન કરતી **વોલ્ટેમ પ્રોપર્ટીઝ**નો શેર ડા. ૫૨૫૨ ઉપર મળી રહેલા આ શેરમાં આવતા થોડા દિવસોમાં ભાવ ઝડપથી વધવાની જગ્યા છે.

ડા. ૧૭૮૪ ઉપર આવી ગયેલા **ગોલ્ડેચ પ્રોપર્ટીઝ**ના શેરમાં પણ થોડુંક રોકાણ કરી શકાય. રીયલ એસ્ટેટમાં આ કંપની ખૂબ જ મજબૂત નામ ધરાવે છે અને રીયલ એસ્ટેટ સેક્ટરની તેજનો ફાયદો આ શેર ઉપર પણ જોઈ શકાશે. નાનું રોકાણ કરી શકાય.

ડા. ૧૮૭૨વાળા **રેમ્ડમ**માં પણ આગામી દિવસોમાં ઝડપી ઉછાળાની જગ્યા છે. રેમ્ડ હવે ન્યૂએજ બિઝનેસ એરોસ્પેસ, ડિફેન્સ અને ઈલેક્ટ્રિક વાહનોના ધંધામાં ઝંપલાવવા માંગે છે પરંતુ અગાઉનો ટ્રેન્ડ દર્શાવે છે કે આ પ્રકારના નવા બિઝનેસમાં રેમ્ડ ખાસ સફળ નથી થઈ અને તેથી આ વખતે વૈવિધ્યકરણ અંગેની તેનું રોકાણ ટેકવું રિટર્ન આપશે તે એક પ્રશ્ન છે. તેમ છતાં શોર્ટટર્મમાં આશાવાદને કારણે ડા. ૧૮૭૨વાળા આ શેરમાં મજબૂત અપ્ટ્રેન્ડ સાથે ડા. ૧૮૫૦ અને તે પછી ડા. ૨૦૦૦ના ભાવની ગણતરી છે.

સુયુટ ફિનાન્સના ડા. ૧૩૨૬ વાળા અને **યુનાઇટેડ સ્પીરીટ**ના ડા. ૧૦૭૧વાળા શેરમાં પણ અપ્ટ્રેન્ડ શરૂ થઈ ગયો છે અને તેથી આ બે શેર ઉપર ફોકસ રાખવું. આવતા બે અઠવાડિયામાં આ શેર તમને સુંદર રિટર્ન આપી શકે. વિલાયતમાંથી અલગ થયેલો

જુઓ ફિનાન્સીયલનો શેર ડા. ૨૧૮ ઉપર આવ્યો છે. આવતા થોડા દિવસોમાં હજી આ શેરમાં નાના ઘટાડાની જગ્યા છે. તેમ છતાં ફિનાન્સ સેક્ટરમાં આ કંપની આમૂલ પરિવર્તન લાવી દે તે

Yash Innoventures Limited							
(CIN: L45100GJ1991PLC016557)							
(Formerly known as Redex Protech Limited)							
Registered Office: 1 Floor, Corporate House No.3, Parshwanath Business Park, Behind Prahladnagar Garden, S G Highway, Ahmedabad-380014, Gujarat, India.							
Statement of Unaudited Financial Results for the Quarter and Half Year ended September 30, 2023 (Rupees in Lacs)							
Sr. No.	Particulars	Quarter ended 30-Sep-23	Quarter ended 30-Jun-23	Quarter ended 30-Sep-22	Half Year ended 30-Sep-23	Half Year ended 30-Sep-22	Year ended 31-Mar-23
		(Unaudited)	(Unaudited)	(Unaudited)	(Unaudited)	(Unaudited)	(Audited)
1	Income	147.70	127.24	0.24	274.94	0.74	0.74
	(a) Revenue from Operations	19.55	9.00	9.00	28.54	18.00	36.00
	(b) Other Income	167.25	136.24	9.24	303.48	18.74	36.74
2	Expenses						
	(a) Employee benefits expense	17.99	18.42	17.68	36.42	34.90	74.75
	(b) Purchases	22.46	27.34	-	49.80	-	-
	(c) Change in inventory	50.60	49.90	-	100.50	-	(1.35)
	(d) Depreciation	1.03	1.02	0.78	2.05	1.52	3.59
	(e) Other expenses	3.08	7.74	5.06	10.82	16.30	39.24
	Total Expenses	95.17	104.43	23.52	199.59	52.72	116.23
3	Profit/(loss) before tax (1 - 2)	72.08	31.81	(14.28)	103.89	(33.98)	(79.49)
4	Tax Expense						
	(a) Current tax	-	-	-	-	-	-
	(b) Short provision of earlier years	-	-	-	-	-	-
	(c) Deferred tax	(0.05)	(0.04)	(0.09)	(0.09)	(0.10)	0.08
	Total Tax Expense	(0.05)	(0.04)	(0.09)	(0.09)	(0.10)	0.08
5	Profit/(loss) for the period (3 - 4)	72.13	31.85	(14.39)	103.98	(34.08)	(79.57)
6	Other Comprehensive Income	-	-	-	-	-	-
7	Total comprehensive income/(loss) for the period (5+6)	72.13	31.85	(14.39)	103.98	(34.08)	(79.57)
8	Paid-up equity share capital (face value '10/- per share)	672.12	672.12	672.12	672.12	672.12	672.12
9	Other equity	754.99	696.49	696.49	754.99	696.49	651.00
10	Earnings per share (') (not annualised except for the year ended)						
	- Basic EPS	1.07	0.47	(0.21)	1.55	(0.51)	(1.18)
	- Diluted EPS	1.07	0.47	(0.21)	1.55	(0.51)	(1.18)
	(See accompanying notes to the Financial Results)						
Notes:							
1. The unaudited financial results were reviewed by the Audit Committee and have been considered and approved by the Board of Directors at their meeting held on November 09, 2023. The same have been subjected to Limited Review by the Statutory Auditors.							
2. The financial results are extracted from the Audited Financial Statements of the Company which are prepared in accordance with Indian Accounting Standards ("Ind AS") as prescribed under section 133 of the Companies Act, 2013 ("the Act") read with relevant rules issued thereunder.							
3. During the quarter and half year ended September 30, 2023 the Company is operating in a single segment i.e. "Construction". Accordingly, segment wise reporting is not applicable.							
4. The figures for previous period have been regrouped / reclassified /restated wherever necessary to make them comparable with the current year's classification.							
5. The results for the quarter and half year ended September 30, 2023 are available on the BSE Limited website (URL: www.bseindia.com/corporates).							

PRATIKSHA CHEMICALS LIMITED					
REGD. OFFICE: 3RD FLOOR, H K COMPLEX, OPP. DHARNIDHAR DERASAR, VASNA, AHMEDABAD - 380007					
CIN : L24110GJ1991PLC015507 www.pratikshachemicals.in					
PH : 079-26632390 E-MAIL: exports@धारapratiksha.com					
EXTRACT FROM THE STANDALONE AUDITED FINANCIAL RESULTS FOR THE QUARTER AND YEAR ENDED ON 30.09.2023 (Rs. In Lacs)					
Sr. No.	PARTICULARS	Quarter ended on 30-09-2023	For the year quarter on 30-09-2022	Half year ended on 30-09-2023	Year ended 31-03-2023
		Unaudited	Unaudited	Unaudited	Audited
1	Total income from operations +C9:C18	161.25	317.85	357.23	996.70
2	Net Profit / (Loss) for the period (before Tax, Exceptional and/or Extraordinary items)	3.07	1.43	6.48	12.09
3	Net Profit / (Loss) for the period before Tax (after Exceptional and/or Extraordinary items)	3.07	1.43	6.48	12.09
4	Net Profit / (Loss) for the period after Tax (after Exceptional and/or Extraordinary items)	1.77	0.48	4.50	-0.34
5	Total Comprehensive Income for the period [Comprising Profit/ (loss) for the period (after tax) and other Comprehensive Income (after tax)]	-	-	-	-
6	Equity Share Capital	557.03	557.03	557.03	557.03
7	Reserves (excluding Revaluation Reserve) as shown in the Audited Balance Sheet of Previous Year				
8	Earnings Per Share (of Rs. 10 / - each) (for continuing and discontinued operations)				
	Basic :	0.03	0.01	0.08	0.16
	Diluted :	0.03	0.01	0.08	0.16

Notes:

1. The above is an extract of the detailed format of Quarterly Financial Results filed with the Stock Exchange under Regulation 33 of SEBI (Listing and Other Disclosure Requirements) Regulation, 2015. The full Format of the financial Results are available on the Stock Exchange website (www.bseindia.com) and on the Company website (www.pratikshachemicals.in)

2. The result of the Quarter ended on 30st September, 2023 were reviewed by the Audit Committee and approved by the Board of Director at its meeting held on 09th November, 2023.

BY ORDER OF THE BOARD OF DIRECTORS ,
FOR, PRATIKSHA CHEMICALS LIMITED
SD/-
Mr. UEPNDRAADHVARUY
DIRECTOR
(DIN : 00483857)

Place : Ahmedabad
Date : 09th November, 2023