

Date: 25/05/2022

To,
Gen. Manager (DCS)
BSE Limited.
P J Towers, Dalal Street,
Fort, Mumbai-400001

SUB: COMPLIANCE OF REGULATION 33 OF SECURITIES AND EXCHANGE BOARD OF INDIA (LISTING OBLIGATIONS AND DISCLOSURES REQUIREMENTS) REGULATIONS, 2015 FOR M/S. PRATIKSHA CHEMICALS LIMITED.

REF: BSE COMPANY CODE BSE: 531257

Dear Sir,

With regard to captioned subject, the Board of Directors of the Company at its meeting held on **25th May, 2022** has considered and approved the audited financial results for the Quarter and year ended on 31st March, 2022. The said financial results were accompanied by the Statement of Assets & Liability, Cash Flow Statement and Audit Report given by the statutory auditor of the company.

Kindly find enclosed herewith audited financial results for the quarter and year ended on 31st March, 2022 along with Statement of Assets & Liability, Cash Flow Statement and Audit Report in compliance of Regulation 33 of Securities and Exchange Board of India (Listing Obligations and Disclosures Requirements) Regulations, 2015.

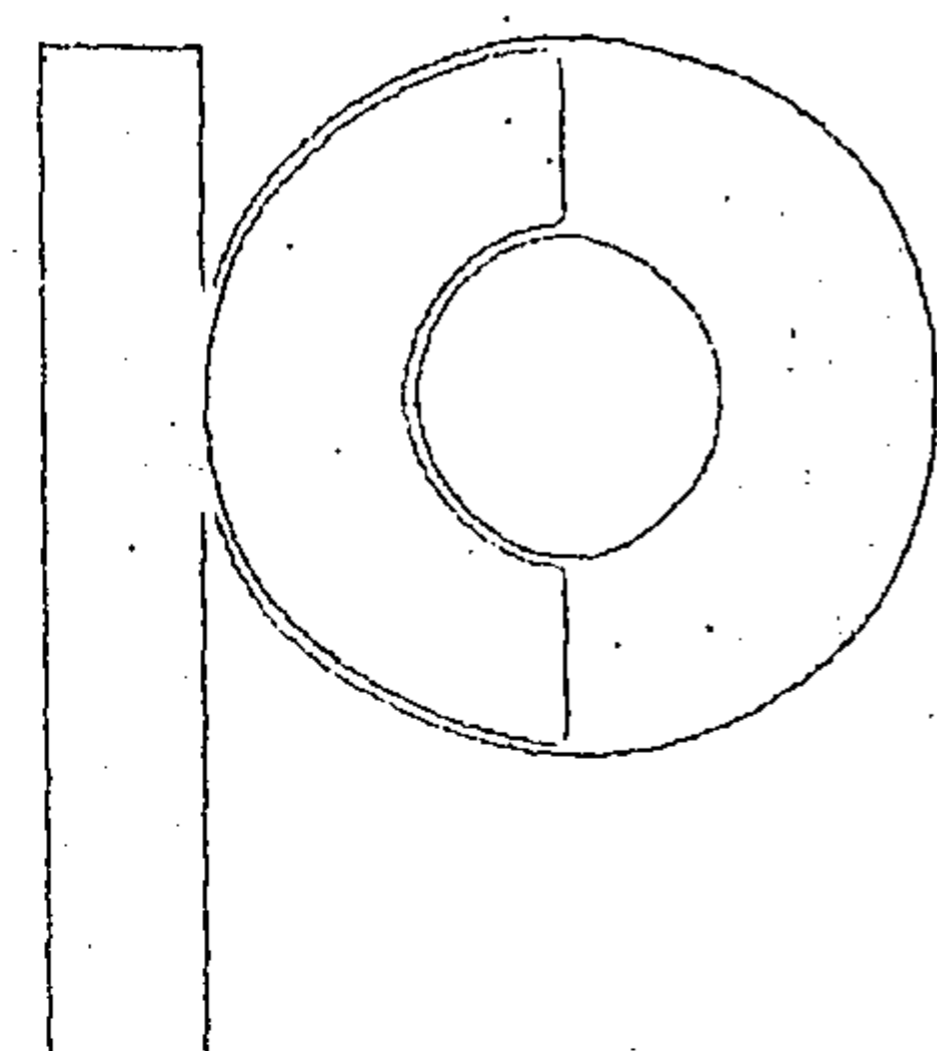
You are requested to take the same on record.

Thanking you.

Yours sincerely,

FOR, PRATIKSHA CHEMICALS LIMITED

MR. JAYESH PATEL
DIRECTOR
(DIN: 00401109)



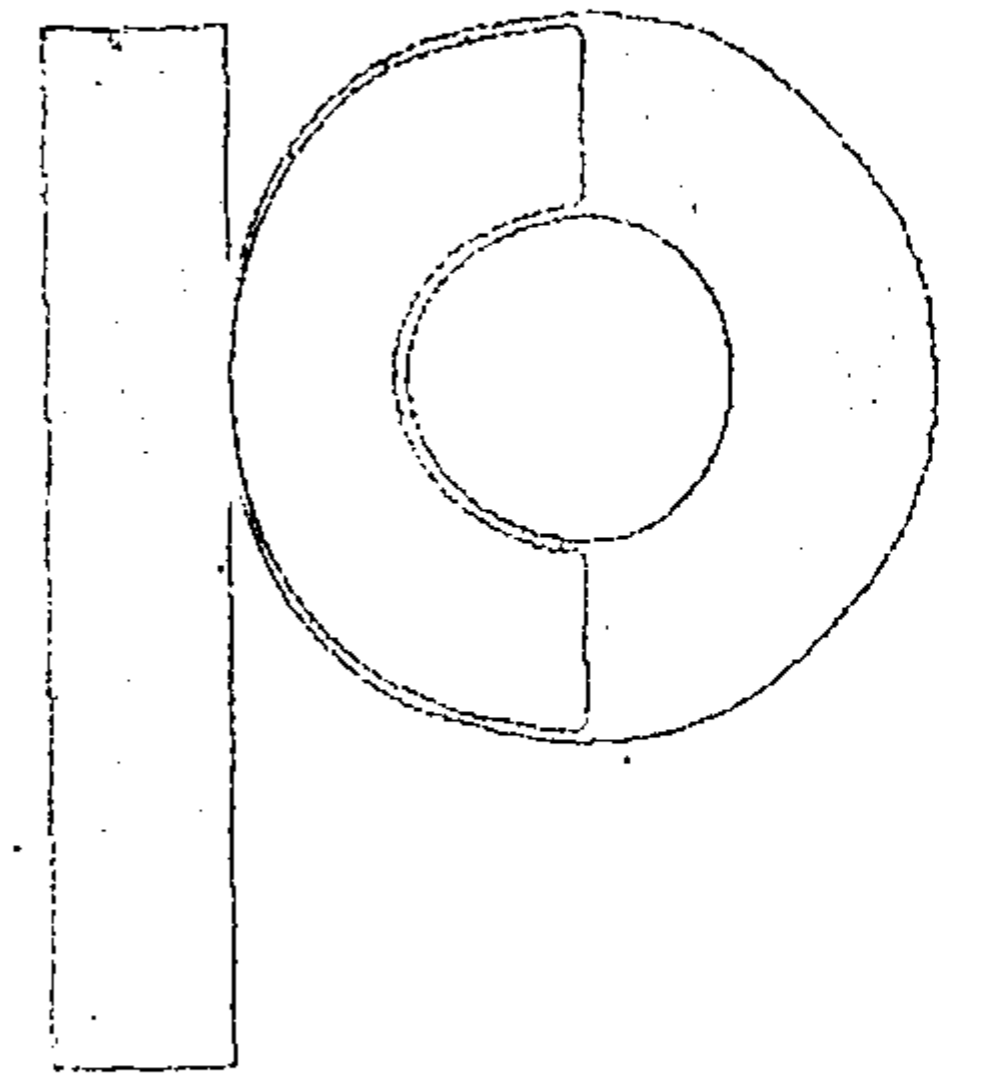
PRATIKSHA CHEMICALS LIMITED

Regd. Off : 3rd Floor, H. K. Complex , Nr. Dharnidhar Derasar, Paldi, Ahmedabad-380 007 India
Ph. 26632390, 26609530 Fax No : +91 79 26612843.

Website : <http://www.dharapratiksha.com> E-mail : exports@dharapratiksha.com

CIN : L24110GJ1991PLC015507

Factory : 195/2, Near Natraj Industrial Estate, Village Iyawa Vasna, Sanand.
(Dist : Ahmedabad) India. Phone 02717-284350



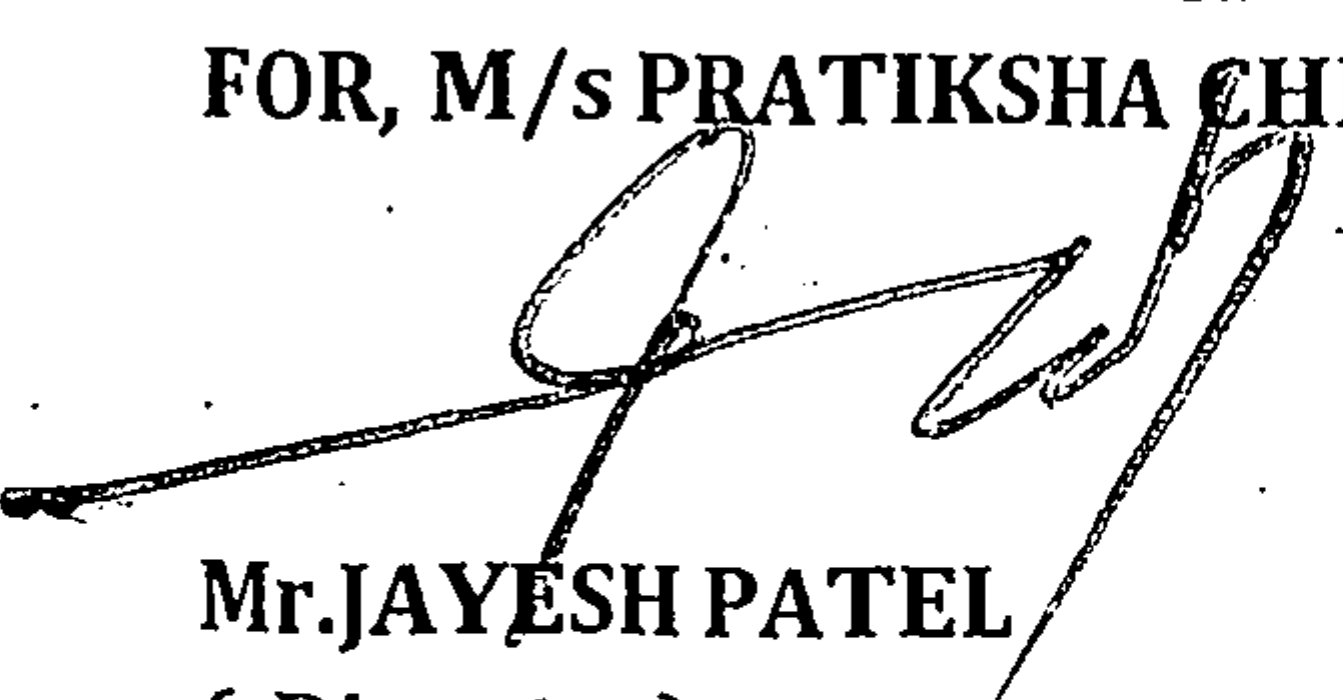
PART-I					
Statement of Standalone Audited Results for the Quarter and Year Ended on 31st March, 2022					
Particulars	(Rs in lakhs)				
	Quarter ended on			Year ended on	
	31.03.2022 Audited	31.12.2021 Unaudited	31.03.2021 Audited	31.03.2022 Audited	31.03.2021 Audited
Income from Operations					
I Revenue from operation	464.54	407.71	445.86	1,642.86	1,134.95
II Other Income	0.51	-	0.94	8.34	1.16
III Total Income (I + II)	465.04	407.71	446.80	1,651.20	1,136.11
IV Expenses					
a) Cost of Material Consumed	351.10	366.19	342.75	1,323.45	820.94
b) Purchase of Stock in Trade	-	-	-	-	-
c) Changes in inventories of finished goods, work-in-progress and stock-in-trade	(6.67)	(53.89)	7.00	(55.50)	(1.14)
d) Employee Benefit Expense	32.13	38.21	21.21	129.12	122.19
e) Finance cost	0.24	0.13	1.48	2.43	3.57
f) Depreciation & amortization	16.93	6.44	8.92	36.25	28.24
g) Other Expenditure	46.76	38.34	52.85	154.04	119.69
Total Expenses (IV)	440.50	395.42	434.21	1,589.80	1,093.49
V Profit/(Loss) before extra ordinary and exceptional Items and tax (III - IV)	24.54	12.29	12.59	61.39	42.64
VI Exceptional Items	-	-	-	-	-
VII Profit/(Loss) before extra ordinary Items and tax (V -VI)	24.54	12.29	12.59	61.39	42.64
VIII Extra Ordinary Items	-	-	-	-	-
IX Profit / (Loss) before Tax (VII- VIII)	24.54	12.29	12.59	61.39	42.64
X Tax expense					
(i) Current Tax	3.90	2.30	5.15	10.80	5.25
(ii) Deferred Tax	(1.79)	0.05	(9.25)	(1.64)	(9.25)
XI Profit (Loss) for the period from continuing operations (IX - X)	22.44	9.94	16.69	52.24	46.64
XII Profit/(loss) from discontinuing operations	-	-	-	-	-
XIII Tax expense of discontinuing operations	-	-	-	-	-
XIV Profit/(loss) from Discontinuing operations (after tax) (XII - XIII)	-	-	-	-	-
XV Profit (Loss) for the period (XI + XIV)	22.44	9.94	16.69	52.24	46.64
XVI Other Comprehensive Income:					
A. (i) Items that will not be reclassified to profit or loss	-	-	-	-	-
(ii) Income tax relating to items that will not be reclassified to profit or loss	-	-	-	-	-
B. (i) Items that will be reclassified to profit or loss	-	-	-	-	-
(ii) Income tax relating to items that will be reclassified to profit or loss	-	-	-	-	-
XVII and Other comprehensive Income for the period)	22.44	9.94	16.69	52.24	46.64
Share of Profit / (loss) of associates *	-	-	-	-	-
Minority Interest*	-	-	-	-	-
16 Net Profit / (Loss) for the year	22.44	9.94	16.69	52.24	46.64
XVIII Paid up equity share capital	557.03	557.03	557.03	557.03	557.03
Face value of equity share capital	10	10	10	10	10.00
18 Reserve excluding Revaluation Reserves	(208.07)	(217.74)	(232.46)	(208.07)	(232.46)
XIX Earnings Per Share (for continuing operation):					
a) Basic	0.40	0.18	0.30	0.94	0.84
b) Diluted	0.40	0.18	0.30	0.94	0.84
XX Earnings Per Share (for discontinued operation)					
a) Basic	0	0	0	0	0
b) Diluted	0	0	0	0	0
XXI Earnings Per Share (for discontinued & continuing operation)					
a) Basic	0.40	0.18	0.30	0.94	0.84
b) Diluted	0.40	0.18	0.30	0.94	0.84

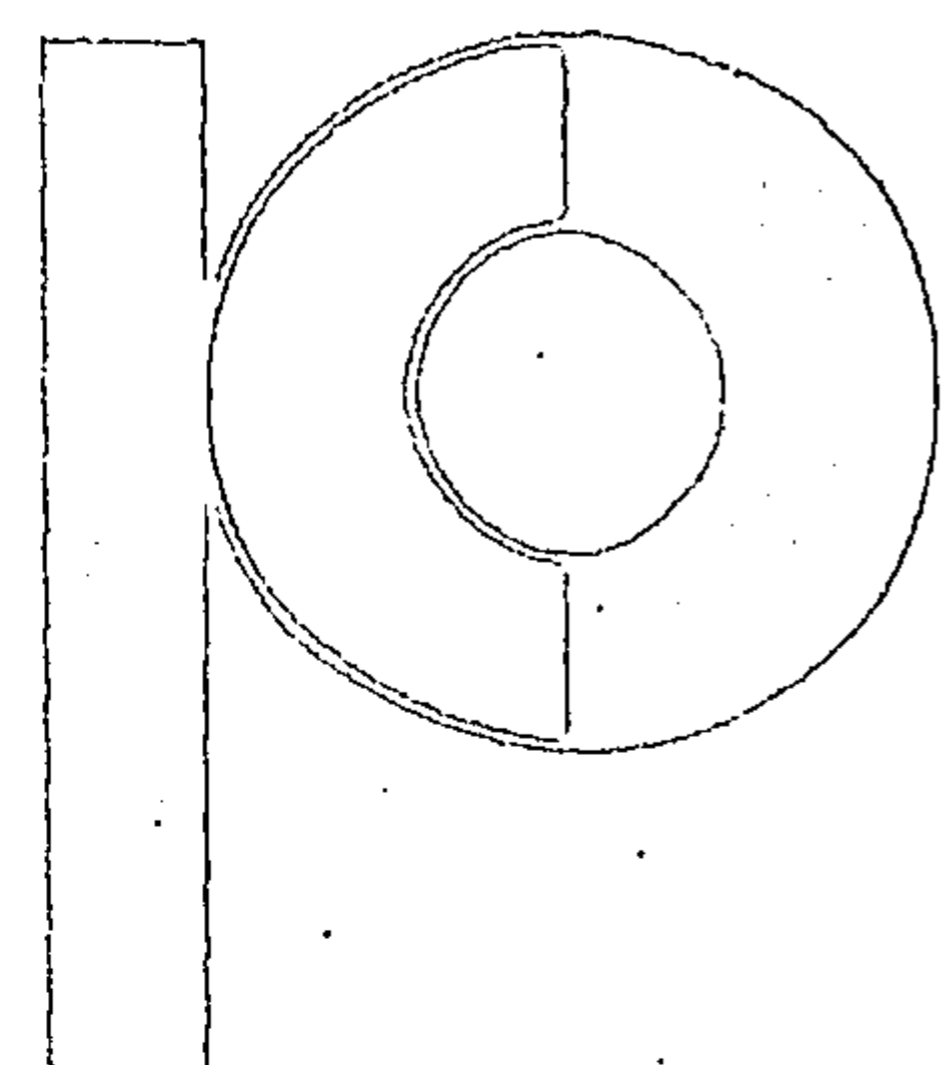
NOTES:

- Profit / loss from discontinuing operations, if any, included in the above shall be disclosed separately with details thereof.
- The above audited Financial Results have been reviewed by Audit committee of the Board and approved and adopted by Board of Directors at its meeting held on **25th May, 2022**.
- This statements has been prepared in accordance with the Companies (Indian Accounting Standard) Rules,2015 - IND AS prescribed under sec- 133 of the companies Act, 2013 read with the Companies(Indian Accounting Standards) Rules, 2015 as amended by the Companies(Indian Accounting Standards) (Amendment) Rules, 2016 and other recognised accounting practices and policies to the extent applicable and in terms of Regulation 33 of SEBI(Listing Obligation and Disclosure Requierment) Regulations, 2015 .
- As per the definition of Reportable segment in Accordance with Accounting standard 17 of Segment Reporting issued by Institue of Chartered Accountant of india, the company hasonly one reportable segment i.e. manufacturing of chemicals and pigments. Hence, seprate disclosure for segment reporing is not applicable to the company.
- The Company has evaluated the impact of COVID-19 on its financial statements based on the internal and external information up to the date of approval of these financial statements and expect to recover the carrying amount of inventories, receivables and investments. The Company does not foresee any material impact on liquidity and assumption of going concern. Till the time business operations at customers' end get fully functional and supplies chain with vendors totally restored, business operations of the Company will remain at sub-optimal level. The Company will continue to monitor the future market conditions and update its assessment.
- To facilitate Comparision , figures of previous periods has been regrouped and rearranged, wherever necessary.

Place: Ahmedabad
Date: 25th May, 2022.

BY ORDER OF THE BOARD OF DIRECTORS,
FOR, M/s PRATIKSHA CHEMICALS LIMITED


Mr. JAYESH PATEL
(Director)
(DIN : 00401109)

**PRATIKSHA CHEMICALS LIMITED**

Regd. Off : 3rd Floor, H. K. Complex , Nr. Dharnidhar Derasar, Paldi, Ahmedabad-380 007 India
Ph. 26632390, 26609530 Fax No : +91 79 26612843.

Website : <http://www.dharapratiksha.com> E-mail : exports@dharapratiksha.com

CIN : L24110GJ1991PLC015507

Factory : 195/2, Near Natraj Industrial Estate, Village Iyawa Vasna, Sanand.
(Dist : Ahmedabad) India. Phone 02717-284350


Statement of Assets and Liabilities

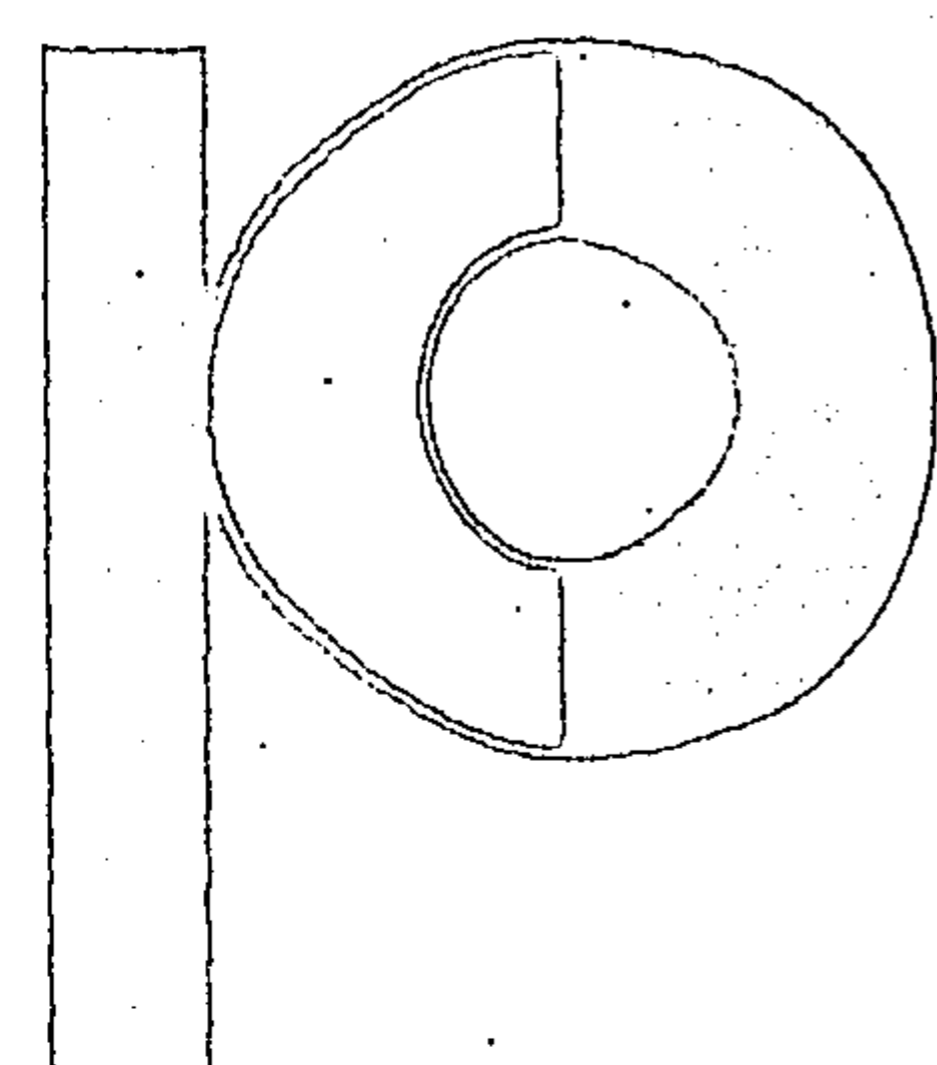
Standalone Statement of Assets and Liabilities		As at (current year ended on) 31.03.2022	As at (the previous year ended on) 31.03.2021
Assets			
1	Non-current assets		
	(a) Property, plant and equipment	195.88	200.31
	(b) Capital work-in-progress	-	-
	(c) Investment property	-	-
	(d) Goodwill	-	-
	(e) Other intangible assets	-	-
	(f) Intangible assets under development	-	-
	(g) Biological assets other than bearer plants	-	-
	(h) financial Assets		
	Non-current financial assets		
	(i) Non-current investments	0.03	0.03
	(ii) Trade receivables, non-current	-	-
	(iii) Loans, non-current	-	-
	(iv) other non current financial assets	11.90	11.42
	Total non-current financial assets	11.93	11.45
	(j) Deferred tax assets (net)	1.12	-
	(j) Other non-current assets	58.02	24.49
	Total non-current assets	266.95	236.26
2	Current assets		
	(a) Inventories	142.02	76.96
	(b) Current financial asset		
	(I) Current investments	-	-
	(II) Trade receivables, current	308.59	310.53
	(III) Cash and cash equivalents	4.28	1.11
	(IV) Bank balance other than cash and cash equivalents	-	-
	(V) Loans, current	-	-
	(VI) Other current financial assets (to be specified)	6.30	3.58
	Total current financial assets	319.16	315.22
	(c) Current tax assets (net)	-	-
	(d) Other current assets	-	-
	Total current assets	461.19	392.18
3	Non-current assets classified as held for sale	-	-
#####	Regulatory deferral account debit balances and related deferred tax Assets	-	-
	Total assets	728.14	628.44
Equity and liabilities			
1	Equity		
	Equity attributable to owners of parent		
	(a) Equity share capital	557.03	557.03
	(b) Other equity	(208.07)	(232.46)
	Total equity attributable to owners of parent	348.96	324.58
	Non controlling interest	-	-
	Total equity	348.96	324.58
2	Liabilities		
	Non-current liabilities		
	(a) Non Current financial liabilities		
	(I) Borrowings, non-current	69.14	27.32
	(II) Trade payables, non-current	-	-
	(III) Other non-current financial liabilities	-	-
	Total non-current financial liabilities	69.14	27.32
	(b) Provisions, non-current	-	-
	(c) Deferred tax liabilities (net)	-	0.52
	Deferred government grants, Non-current	-	-
	(d) Other non-current liabilities	-	-
	Total non-current liabilities	69.14	27.84
	Current liabilities		
	(a) financial liabilities		
	(I) Borrowings, current	-	-
	(II) Trade payables, current	290.74	263.46
	(III) Other current financial liabilities	-	-
	Total current financial liabilities	290.74	263.46
	(b) Other current liabilities	7.85	1.21
	(c) Provisions, current	3.76	3.47
	(d) Current tax liabilities (Net)	7.69	7.88
	Deferred government grants, Current	-	-
	Total current liabilities	310.03	276.02
	Deferred government grants, Current	-	-
	Total current Liabilities	310.03	276.02
3	Liabilities directly associated with assets in disposal group classified as held for sale	-	-
4	Regulatory deferral account credit balances and related deferred tax liability	-	-
	Total liabilities	379.17	303.86
	Total equity and liabilities	728.14	628.44

To facilitate Comparison , figures of previous periods has been rearranged, wherever necessary.

Place: Ahmedabad
Date: 25th May, 2022.

BY ORDER OF THE BOARD OF DIRECTORS,
FOR, M/s PRATIKSHA CHEMICALS LIMITED


Mr. JAYESH PATEL
(Director)
(DIN : 00401109)



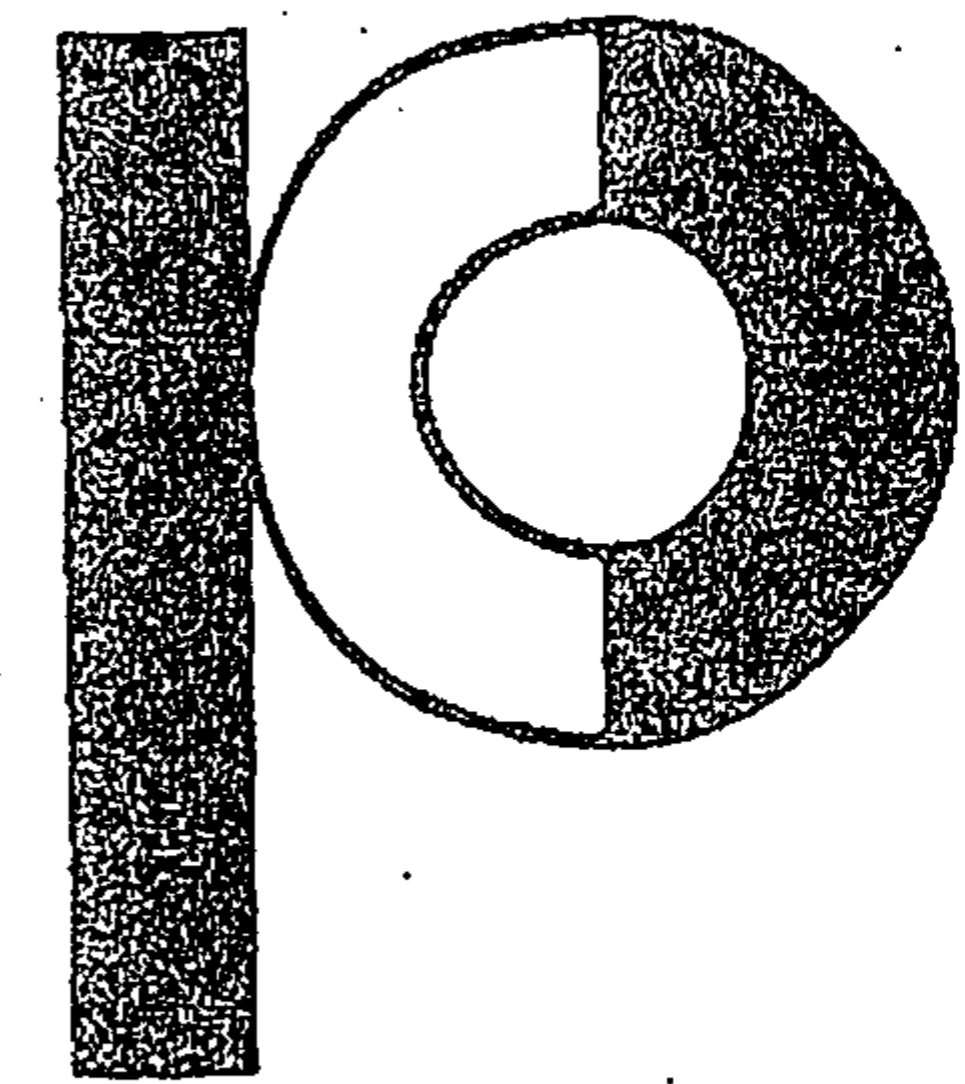
PRATIKSHA CHEMICALS LIMITED

Regd. Off : 3rd Floor, H. K. Complex , Nr. Dharnidhar Derasar, Paldi, Ahmedabad-380 007 India
Ph: 26632390, 26609530 Fax No : +91 79 26612843.

Website : <http://www.dharapratiksha.com> E-mail : exports@dharapratiksha.com

CIN : L24110GJ1991PLC015507

Factory : 195/2, Near Natraj Industrial Estate, Village lyawa Vasna, Sanand.
(Dist : Ahmedabad) India. Phone 02717-284350




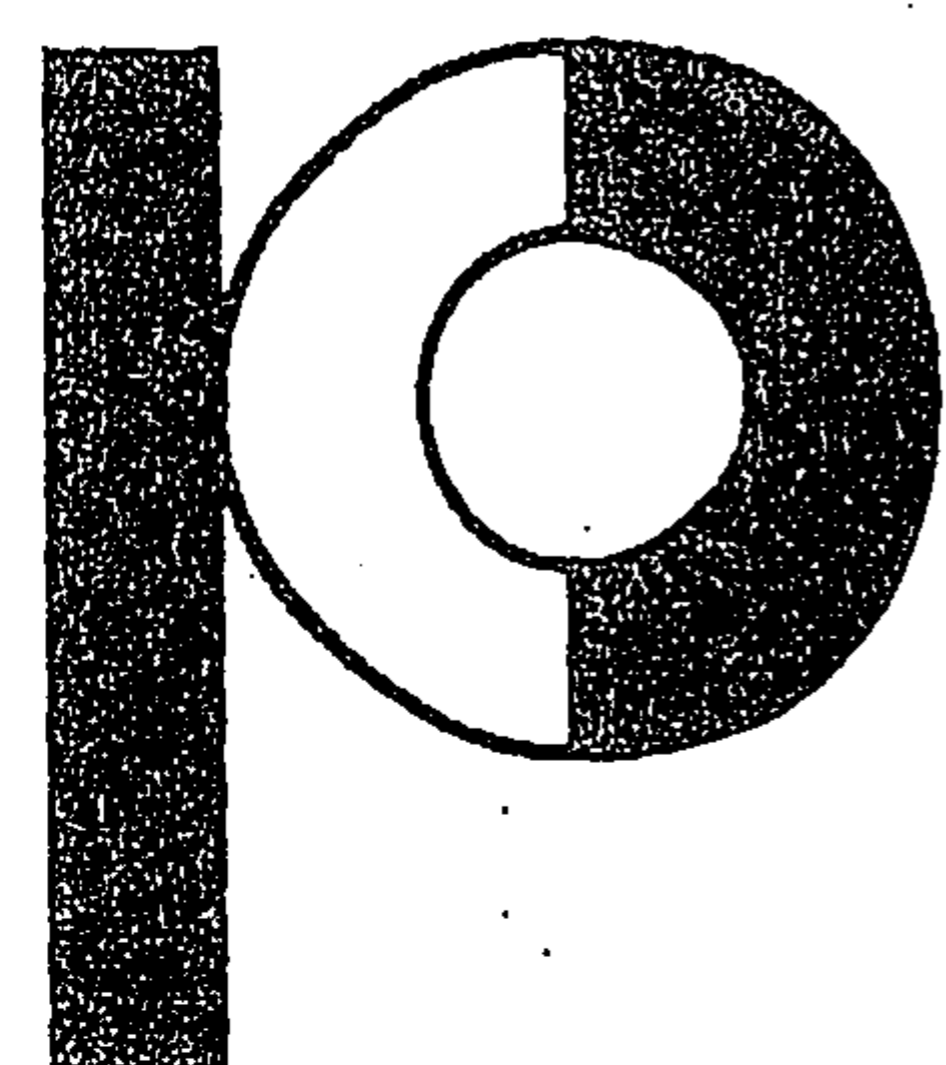
PARTICULARS	YEAR ENDED	
	31st March, 2022	31st March, 2021
STANDALONE CASH FLOW STATEMENT FOR THE YEAR ENDED ON 31ST MARCH, 2022		
A. CASH FLOW FROM OPERATING ACTIVITY		
Profit before Income Tax	61.39	42.64
Adjustment for :		
Depreciation and amortisation expense	36.25	28.24
(Gain)/loss on disposal of property, plant and equipment		
Dividend and interest income classified as investing cash flows		
Finance costs	2.43	3.57
Operating Profit before working capital change	100.08	74.45
Change in operating assets and liabilities		
(Increase)/Decrease in trade receivables	1.93	0.84
(Increase)/Decrease in inventories	(65.06)	(1.43)
Increase/(Decrease) in trade payables	27.28	(5.84)
(Increase)/Decrease in other financial assets		
(Increase)/Decrease in other current assets	(36.72)	15.44
Increase/(Decrease) in provisions	0.28	0.75
Increase/(Decrease) in other current liabilities	4.99	(10.91)
Cash used in/ generated from operations	32.79	73.30
Income taxes paid	(9.36)	(5.25)
Cash used in/generated from operations (A)	23.43	68.05
B. CASH FLOW FROM INVESTING ACTIVITIES		
Payments for property, plant and equipment	(31.82)	(57.85)
Purchase of investments		
Proceeds from sale of property, plant and equipment		
Proceeds from sale of investments		
Dividends received		
Interest received		
(Increase)/Decrease in other Bank balances not treated as Cash and Cash Equivalents		(14.07)
Net cash outflow from investing activities (B)	(31.82)	(71.92)
C. CASH FLOW FROM FINANCING ACTIVITIES		
Finance costs	(2.43)	(3.57)
Dividends paid	(27.85)	
Dividend Tax paid		
Availment/(Repayment) of Short Term Borrowings	41.82	7.36
Availment/(Repayment) of Working Capital Borrowings		
Net cash inflow/ (outflow) from financing activities (C)	11.54	3.79
Net Increase/ (Decrease) in cash and cash equivalents (A+B+C)	3.15	(0.08)
Cash and Cash Equivalents at the beginning of the financial year	1.11	1.20
Cash and Cash Equivalents at the end	4.28	1.11

The above Cash Flow Statement has been prepared under the "Indirect Method" as set out in the Indian Accounting Standards [Ind AS 7] - "Statement of Cash Flow".

Place: Ahmedabad
Date: 25th May, 2022.

BY ORDER OF THE BOARD OF DIRECTORS,
FOR, M/s PRATIKSHA CHEMICALS LIMITED


Mr. JAYESH PATEL
(Director)
(DIN : 00401109)



PRATIKSHA CHEMICALS LIMITED

Regd. Off : 3rd Floor, H. K. Complex, Nr. Dharnidhar Derasar, Paldi, Ahmedabad-380 007 India
Ph. 26632390, 26609530 Fax No : +91 79 26612843.

Website : <http://www.dharapratiksha.com> E-mail : exports@dharapratiksha.com

CIN : L24110GJ1991PLC015507

Factory : 195/2, Near Natraj Industrial Estate, Village Iyawa Vasna, Sanand.
(Dist : Ahmedabad) India. Phone 02717-284350

CHANDABHOY & JASSOOBHOY

CHARTERED ACCOUNTANTS

CA GAUTAM N. SHAH
CA RAHUL G. DIVAN
CA NIMAI G. SHAH

PHONE : (079) 26586063 / 26586069
CELL : 98242 56190 / 98247 99760
E-MAIL : cnjabd@gmail.com
cnjabd@yahoo.com

No. 605-606-607, Silver Oaks, Nr. Mahalaxmi Cross Roads, Paldi, Ahmedabad-380 007, INDIA.

Auditor's Report on Quarterly Financial Results and Year to Date Results of the Company Pursuant to the Regulation 33 of the SEBI (Listing Obligations and Disclosure Requirements) Regulations, 2015

TO THE BOARD OF DIRECTORS OF PRATIKSHA CHEMICALS LIMITED

We have audited the quarterly financial results of PRATIKSHA CHEMICALS LIMITED for the quarter ended 31st March, 2022 and the year to date results for the period 1st April, 2021 to 31st March, 2022, attached herewith, being submitted by the company pursuant to the requirement of Regulation 33 of the SEBI (Listing Obligations and Disclosure Requirements) Regulations, 2015. These quarterly financial results as well as the year to date financial results have been prepared on the basis of the interim financial statements which are the responsibility of the company's management. Our responsibility is to express an opinion on these financial results based on our audit of such interim financial statements, which have been prepared in accordance with the recognition and measurement principles laid down in Indian Accounting Standard 34 (Ind AS34) for Interim Financial Reporting, prescribed, under Section 133 of the Companies Act, 2013 read with relevant rules issued thereunder, or by the Institute of Chartered Accountants of India as applicable and other accounting principles generally accepted in India.

We conducted our audit in accordance with the auditing standards generally accepted in India. Those standards require that we plan and perform the audit to obtain reasonable assurance about whether the financial results are free of material misstatement(s). An audit includes examining, on a test basis, evidence supporting the amounts disclosed as financial results. An audit also includes assessing the accounting principles used and significant estimates made by management. We believe that our audit provides a reasonable basis for our opinion.

In our opinion and to the best of our information and according to the explanations given to us these quarterly financial results as well as the year to date results:

- i. are presented in accordance with the requirements of Regulation 33 of the SEBI (Listing Obligations and Disclosure Requirements) Regulations, 2015 in this regard: and
- ii. give a true and fair view of the net profit and other financial information for the quarter ended 31st March, 2022 as well as the year to date results for the period from 1st April, 2020 to 31st March, 2022 except in respect of the following matters :
 - a) The company is accounting for Gratuity and Leave encashment on cash basis. This is not in accordance with Ind AS – 1 on "Presentation of Financial Statement" and Ind AS – 19 on "Employee Benefits" prescribed by the Institute of Chartered Accountants of India and contrary to provision contained in Section 133 of The

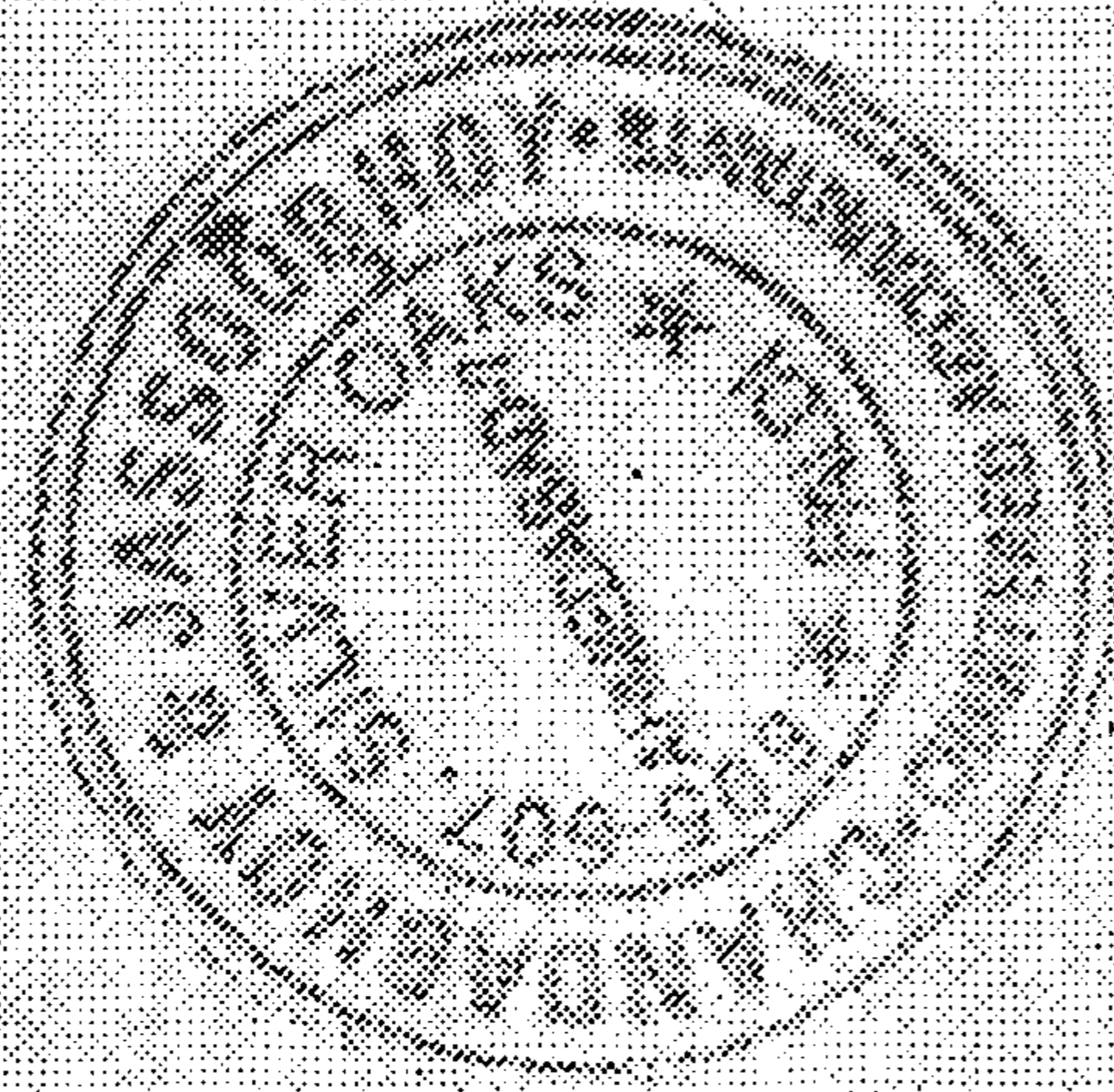


Companies Act, 2013. The extent of non-compliance in terms of value is not ascertainable.

- b) Ind AS - 2 for "Inventories" has not been followed. The measurement and valuation methods followed by the Company as regards to inventory are not in accordance with accepted methodology. We are not in a position to quantify the effect of this discrepancy on the profitability and Balance Sheet.

Place : Ahmedabad
Date : 25th May, 2022

UDIN: 22-100932-AIDWRZ3317



For Chandabhoy & Jassoobhoy

(CA Nimai G. Shah)

Partner

Chartered Accountants

Membership No. 100932

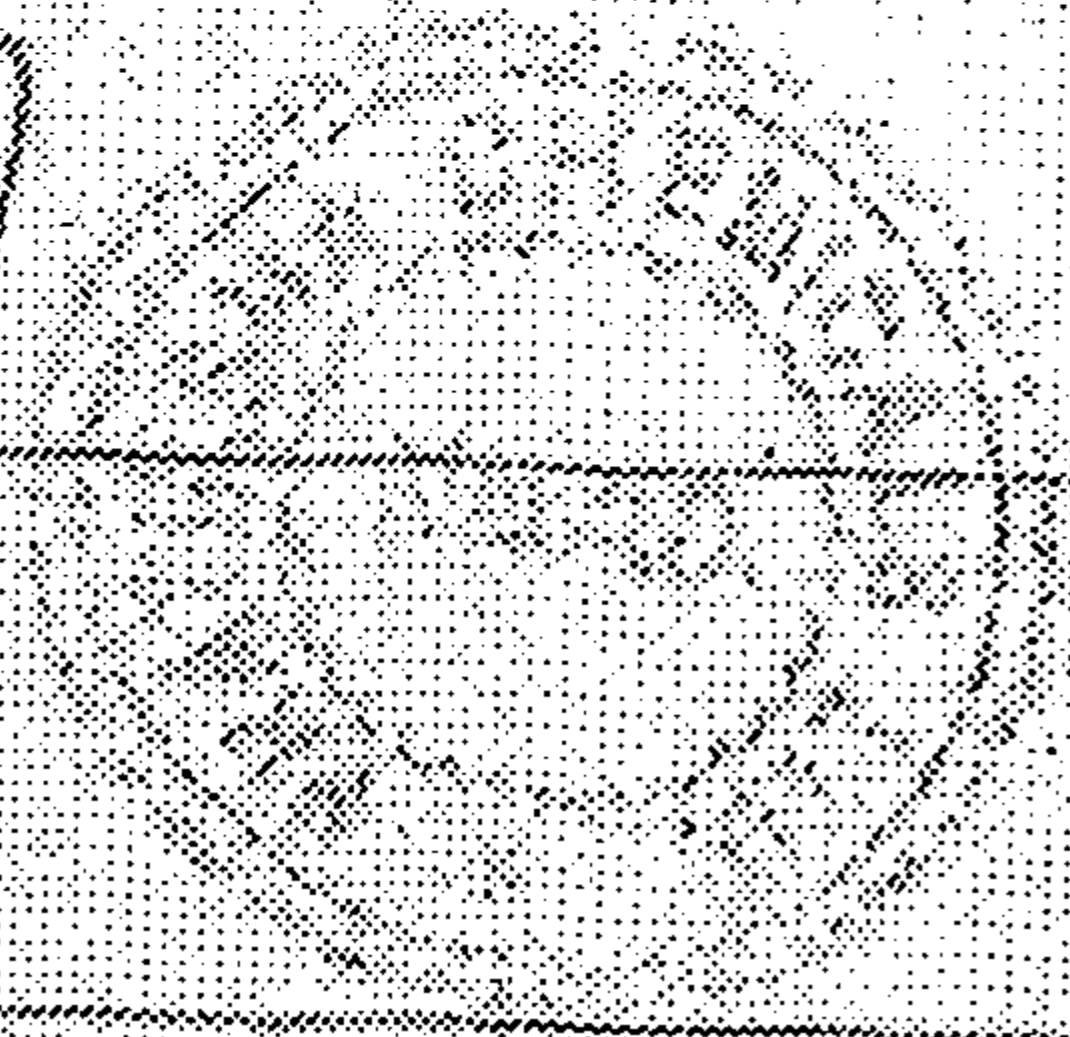
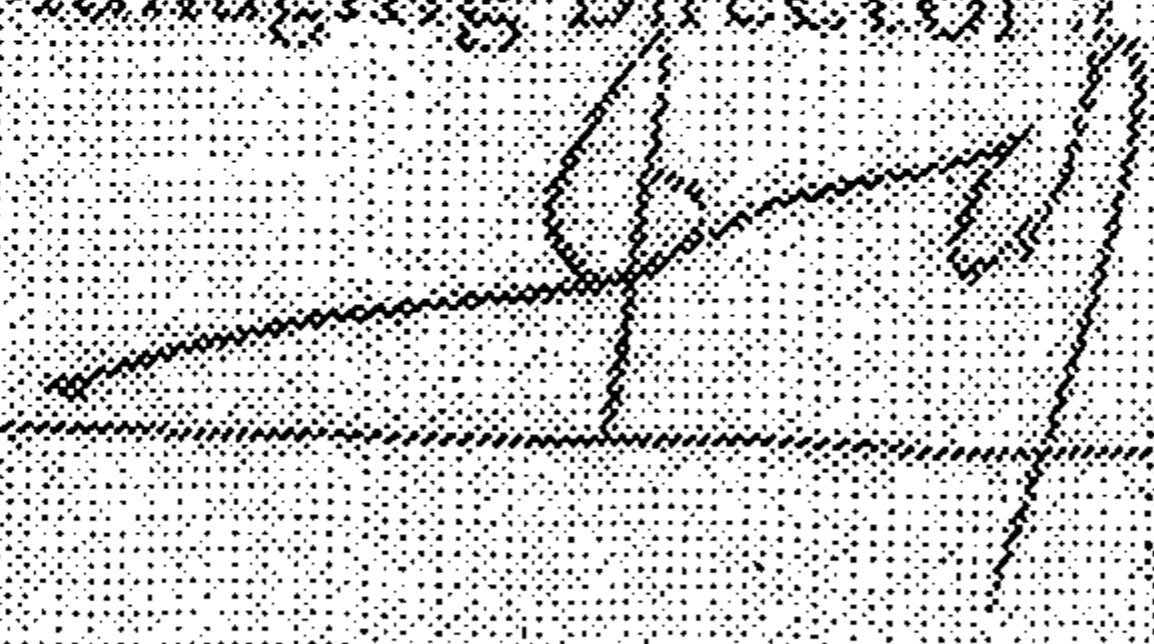
Firm Regn. No. 101648W

Statement on Impact of Audit Qualifications (for audit report with modified opinion) submitted along with Annual Audited Financial Results - (Standalone and Consolidated separately)

STATEMENT ON IMPACT OF AUDIT QUALIFICATIONS FOR THE FINANCIAL YEAR ENDED MARCH 31, 2022				
I	Sr. no.	Particulars	Audited Figures (as reported before adjusting for qualifications)	Adjusted Figures (audited figures after adjusting for qualifications)
	1	Turnover / Total income	16,51,19,820	16,51,19,820
	2	Total Expenditure	15,89,80,606	15,89,80,606
	3	Net Profit/(Loss)	52,23,623	52,23,623
	4	Earnings Per Share	0.94	0.94
	5	Total Assets	7,28,13,716	7,28,13,716
	6	Total Liabilities	3,79,17,466	3,79,17,466
	7	Net Worth	3,48,96,250	3,48,96,250
	8	Any other financial item(s) (as felt appropriate by the management)		-
II	AUDIT QUALIFICATION (EACH AUDIT QUALIFICATION SEPARATELY):			
	<p>a. Details of Audit Qualification:</p> <p>1) The company is accounting for Gratuity and Leave encashment on cash basis. This is not in accordance with Ind AS - 1 on "Presentation of Financial Statement" and Ind AS - 19 on "Employee Benefits" prescribed by the Institute of Chartered Accounting of India and contrary to provision contained in Section 133 of The Companies Act, 2013. The extent of non-compliance in terms of value is not ascertainable.</p> <p>2) Ind AS - 2 for "Inventories" has not been followed. The measurement and valuation methods followed by the Company as regards to inventory are not in accordance with accepted methodology. We are not in a position to quantify the effect of this discrepancy on the profitability and Balance Sheet.</p>			
	<p>b. Type of Audit Qualification : Qualified Opinion/Disclaimer of opinion/Adverse Opinion</p>			
	<p>c. Frequency of qualification: Whether appeared first time/ Repetitive/ since how long continuing: has appeared in continuance.</p>			
	<p>d. For Audit Qualification(s) where the impact is quantified by the auditor, Management's Views: Not applicable as impact is not quantified</p>			
	<p>e. For Audit Qualification(s) where the impact is not quantified by the auditor:</p>			
	<p>i.) Management's estimation on the impact of audit qualification: Unable to estimate</p>			
	<p>ii.) If management is unable to estimate the impact, reasons for the same:</p>			

III SIGNATORIES:

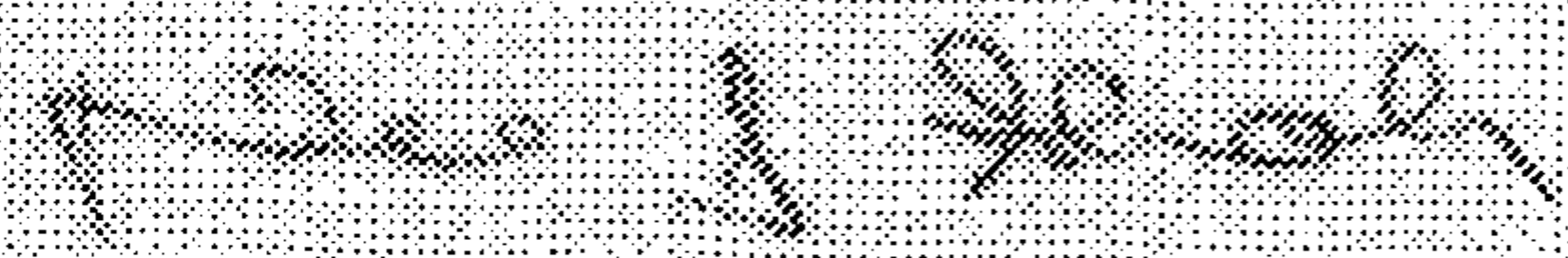
CEO/Managing Director:



CFO:

Audit Committee Chairman:

Statutory Auditor:



PLACE : AHMEDABAD

DATE: 25/05/2022